

■ GH ■

CRANES & COMPONENTS

TRANSFER CARTS and traversers



battery steerable
battery powered rail-mounted
electric powered rail-mounted

Transfer carts, battery steerable, battery powered rail-mounted, electric powered rail-mounted.



GH transfer carts move loads of all types at ground level, for all industries and a huge variety of applications.

These heavy-duty modular transfer carts are available in a wide range of capacities and dimensions to suit any requirement. They are equipped with all the safety devices needed for ground-level machinery movement.

They are an important complement to cranes lifting heavy loads at ground level and the ideal solution for cargo transfer between ships.

There are two main types of transfer carts, according to movement type::

- Steerable transfer carts: These move in any direction. Available in battery powered version.
- Transfer carts on rails: These move in a straight line. Available in battery-powered or electric versions, with movement via a winder or power line.



Battery powered steerable transfer carts

We manufacture steerable (free-moving) transfer carts ranging from 10 to 60 tons. They are independent, battery powered and can move freely on flat ground, inside and outside the building.



Battery powered rail-mounted transfer carts

Rail-mounted transfer carts (straight line travel only) are manufactured in capacities ranging from 10 to 100 tons. They are battery powered and run on rails.



Electric powered rail-mounted transfer carts

Our rail-mounted transfer carts (straight line travel only) are manufactured in capacities ranging from 10 to 100 tons. They can be powered via a winder or a shielded cable.

Installation examples

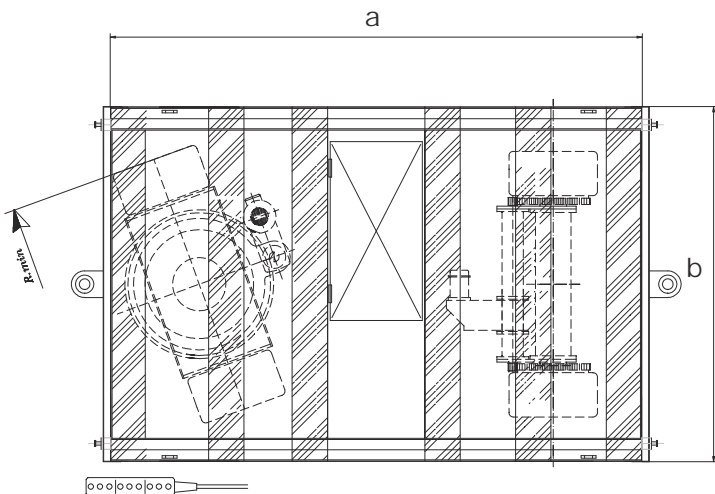
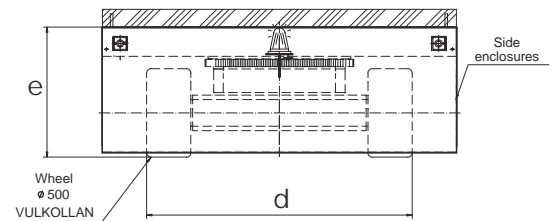
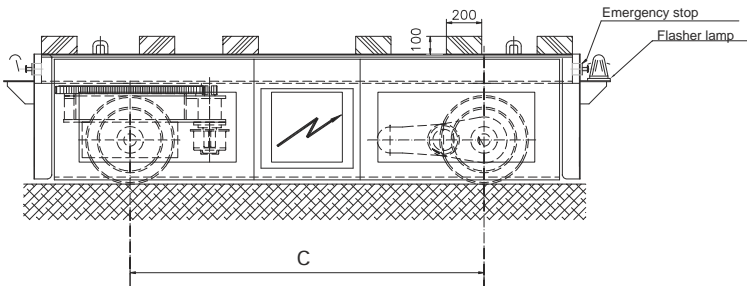


Battery powered steerable transfer carts

Dimension chart

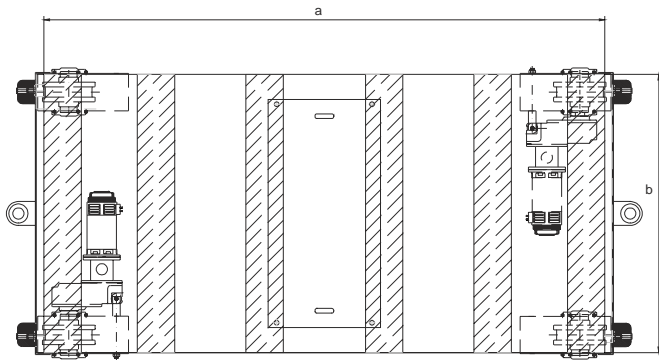
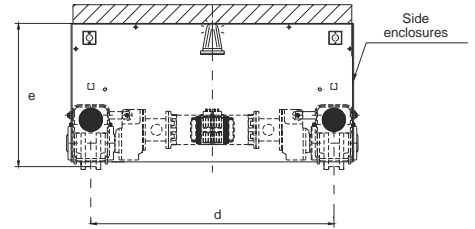
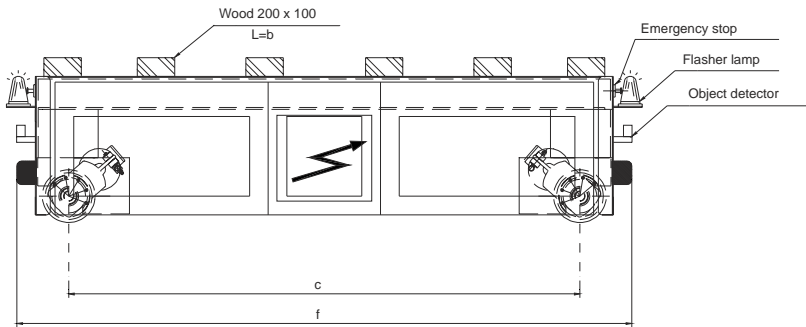
Load capacity (t)	Dimensions (mm)					Outer wheel radius, minimum rotation (mm)	Speed (m/min)	Battery
	a	b	c	d	e			
20	3000	1600	2000	1500	735	5500	20	48v 400Ah
		2100		2000		6100		
40	4000	2100	2500	2000	775	8900		
	5000	2100	3500			11700		
60	3500	2100	2430	2000	820	6050		
	6000	3500	4000	3200	890	8650		

- Battery charger
- Button panel control with 3 m hose
- Optional: Infra-red control on front and rear.
- Optional: SICK scanner.



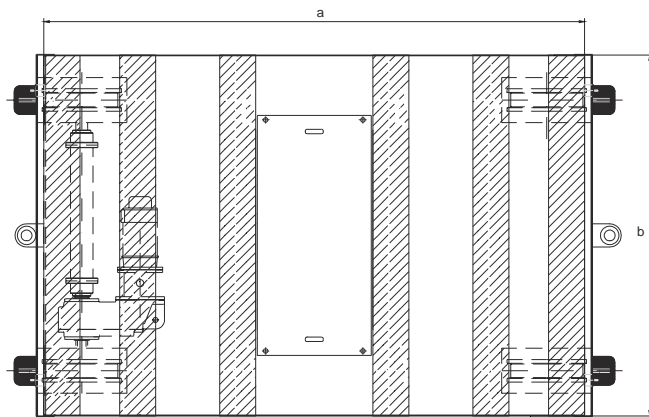
Battery powered rail-mounted transfer carts

Dimension chart

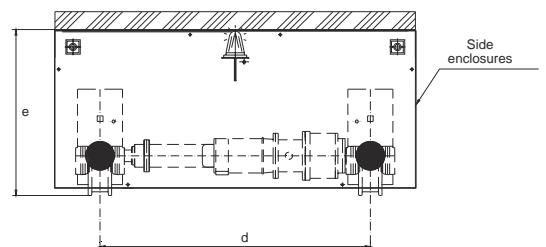
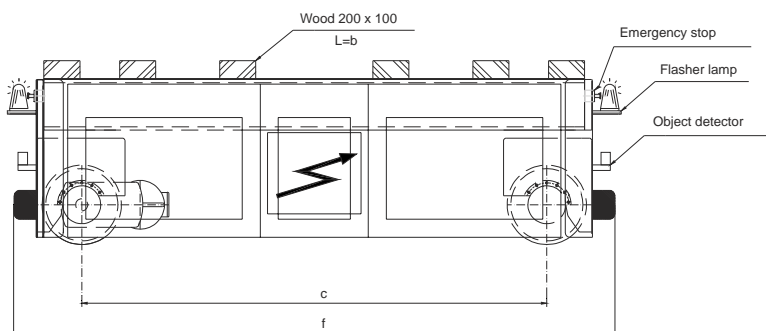


Cap. (t)	Dimensions (mm)						Speed (m/min)	Wheel Ø	Battery
	a	b	c	d	e	f			
10	1500	1000	1234	800	766	2154	20	250	48v 332Ah
	2000	1500	1734	1300		2288			
	3000	2000	2734	1800		3288			
20	2000	1500	1734	1300	766	2288	20	250	48v 332Ah
	3000	2000	2734	1800		3288			
	4000	2500	3734	2300		4288			

- Battery charger
- Button panel control with 3 m hose
- Optional: Radio control
- Optional: Wooden blocks on frame

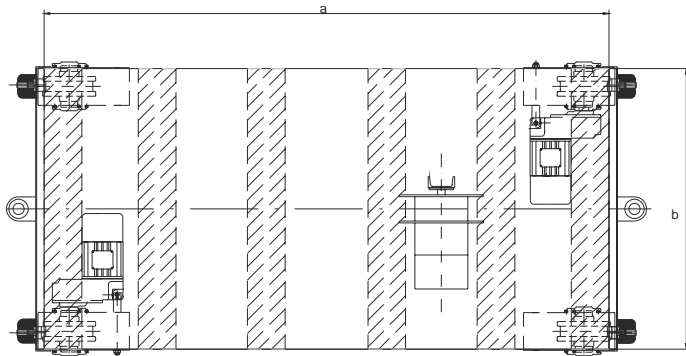
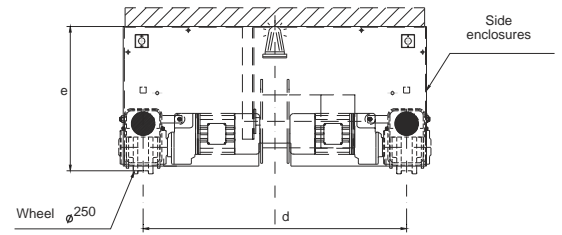
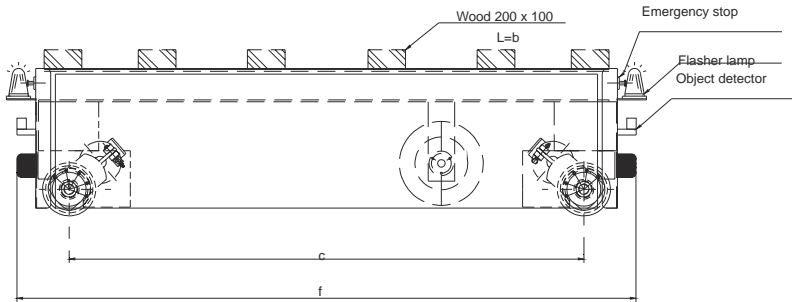


Cap. (t)	Dimensions (mm)						Speed (m/min)	Wheel Ø	Battery
	a	b	c	d	e	f			
40	3000	2000	2680	1800	694	3330	20	315	48v 400Ah
	4000		3680			4330			
	5000	3000	4580	2700		5330			
60	4000	2500	3580	2200	694	4330	20	400	48v 400Ah
	5000	3000	4580	2700		5330			
	6000	3500	5580	3200		6330			
80	6000	3000	5000	2400	965	6430	20	400	48v
100	6000	4000	5000	3100	780	6500	20	630	480Ah



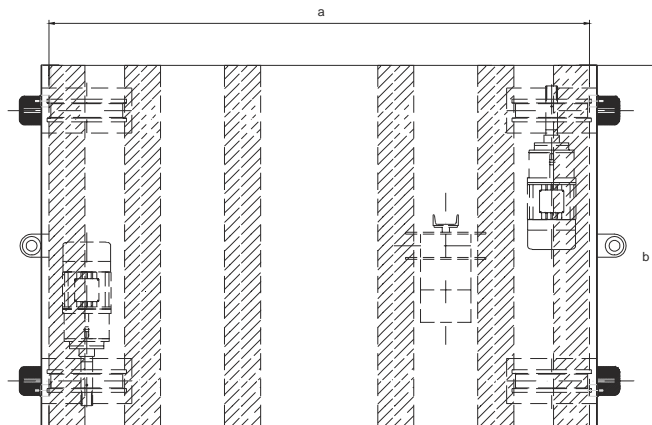
Electric powered rail-mounted transfer carts

Dimension chart

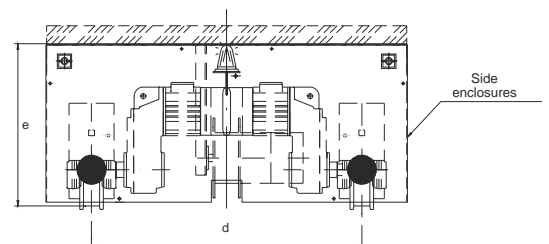
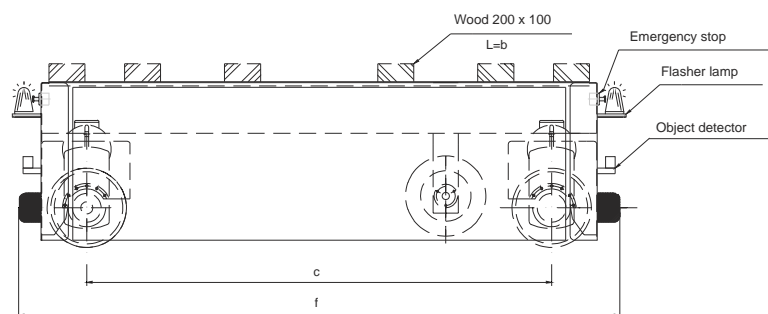


Cap. (t)	Dimensions (mm)						Speed (m/min)	Wheel Ø
	a	b	c	d	e	f		
10	1500	1000	1234	800	766	2154	20	250
	2000	1500	1734	1300		2288		
	3000	2000	2734	1800		3288		
20	2000	1500	1734	1300	766	2288	20	250
	3000	2000	2734	1800		3288		
	4000	2500	3734	2300		4288		

- Spring-powered winder with 20 m travel
- Button panel control with 3 m hose
- Optional: Radio control
- Optional: Wooden blocks on frame



Cap. (t)	Dimensions (mm)						Speed (m/min)	Wheel Ø
	a	b	c	d	e	f		
40	3000	2000	2680	1800	694	3330	20	315
	4000		3680			4330		
	5000	3000	4680	2700		5330		
60	4000	2500	3580	2200	900	4330	20	400
	5000	3000	4580	2700		5330		
80	6000	3500	5580	3200	1045	6330	20	400
	2000	5000	1150	4000		3122		
100	6490	5500	5870	3800	880	6980	20	500

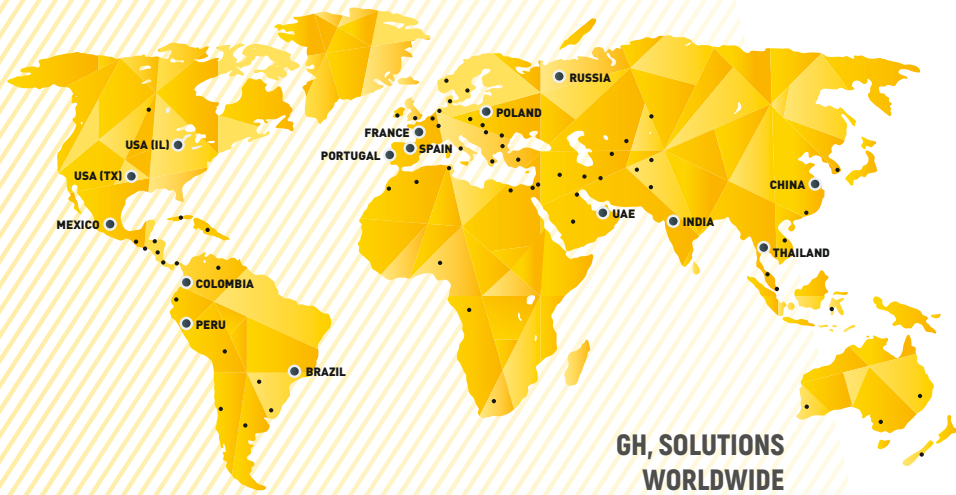


Transfer carts for moving railway vehicles



GH also manufactures rail vehicle transfer carts with capacities ranging from 60 to 150 tons, mainly used for moving trains for maintenance work. They are quick, safe and easy to move.





GH, SOLUTIONS
WORLDWIDE

Presence in
+73 COUNTRIES
ON 5 CONTINENTS

+ 112.000
sold cranes

+ 750

IN THE
TOP 5 CRANE
MANUFACTURERS
WORLDWIDE

GH, Spain central offices

-GH-

www.ghcranes.com



Beasain
CENTRAL OFFICES
T: +34 943 805 660
ghcranes@ghcranes.com



Olaberría
T: +34 902 205 100
globalservice@ghcranes.com



Alsasua
T: +34 948 467 625



Bakaiku
T: +34 948 562 611



Jaén
T: +34 902 205 100

GH, subsidiaries in the world



Brazil Cabreúva
GH DO BRASIL IND. E COM. LTDA.
T: +52 44 22 77 55 03
ghdobrasil@ghdobrasil.com.br



China Shanghai
GH (SHANGHAI)
LIFTING EQUIPMENT CO., LTD.
T: +86 21 5988 7676
ghchina@ghsa.com



Colombia Bogotá
GH COLOMBIA SAS
T: +57 1 750 4427
yezpeleta@ghsa.com



France Couëron
GH FRANCE SA
T: +33(0) 240 861 212
ghfrance@ghsa.com



India Pune
GH CRANES INDIA PVT. LTD.
T: +91 89561 35444
ghindia@ghsa.com



Mexico Querétaro
GRÚAS GH MEXICO SA DE CV
T: +52 44 22 77 55 03
+52 44 22 77 50 74
ghmexico@ghsa.com.mx



Peru Lima
GH PERÚ S.A.C.
T: +51 987816231
gferradas@ghsa.com



Poland Kłobuck
GH CRANES SP. Z O.O.
T: +48 34 359 73 17
intertech@ghsa.pl



Portugal São Mamede do Coronado
GH PORTUGAL
T: +351 229 821 688
geral@ghsa.com



Russia Moscú
GH RUSSIA
T: +7 (495) 745 69 26
ghrussia@ghsa.com



Thailand Chonburi
LGH Cranes
T: +66 (0) 2327 9399
M: +66 (0) 8 4660 1365
ghthailand@ghsa.com



UAE Dubai
GH Cranes Arabia FZCO
Office no. 517, 5th Floor, Jafza
Building 16, Jebel Ali Free Zone.
P.O Box Number - 263594
T: +971 4 8810773
gharabia@ghcranes.com



USA Illinois
GH CRANES USA
T: (815) 277 5328
ghcranesusa@ghsa.com



USA Texas
F&G CRANES
T: (972) 563 8333
info@fg-ind.com

**Lifting
your
world.**